

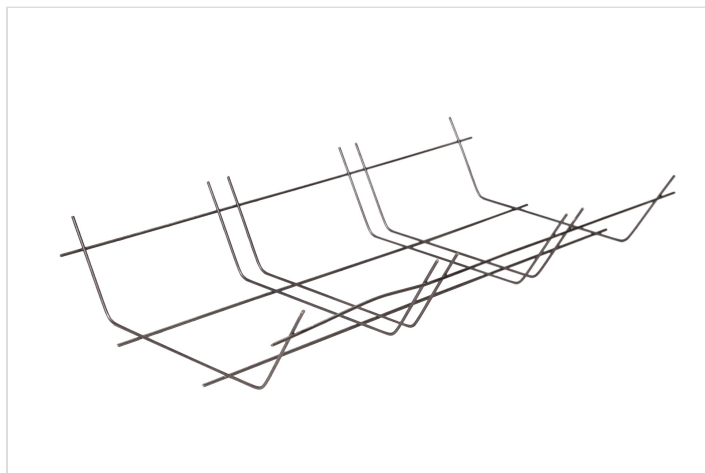
Dowel holder for roadway slabs

Item No. TDFAHAL250



[▶ more product details](#)

[▶ more information](#)



Technical Data

Length	2,250 mm	Weight	0.82 kg/m
Length	2.25 m	WG:	120
Storage unit	Metre		

*Further dimensions available on request.
Please specify the desired altitude.
Delivery is carried out with separate freight.*